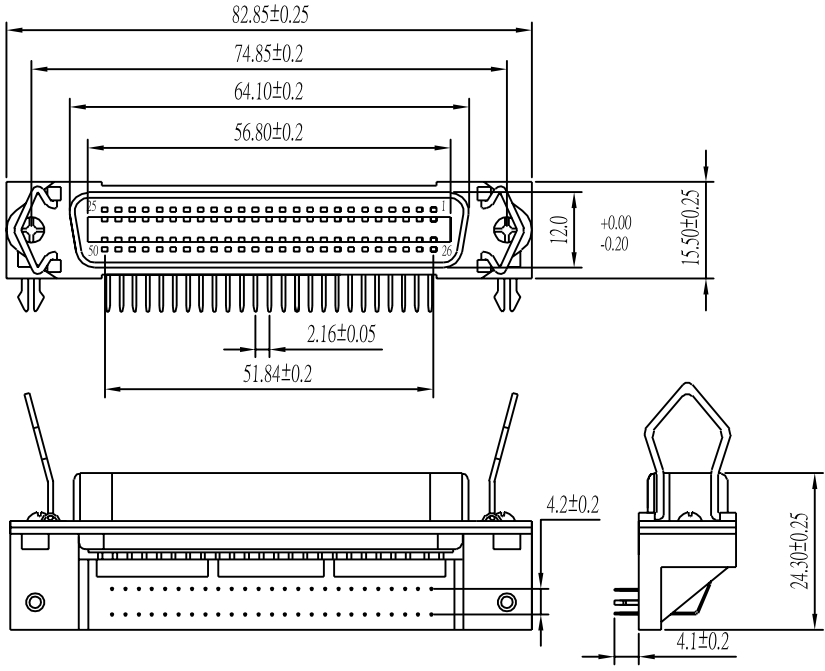


REV.	ECN NO	LOCATIONS	DESCRIPTION	DATE	REVISER	APPD



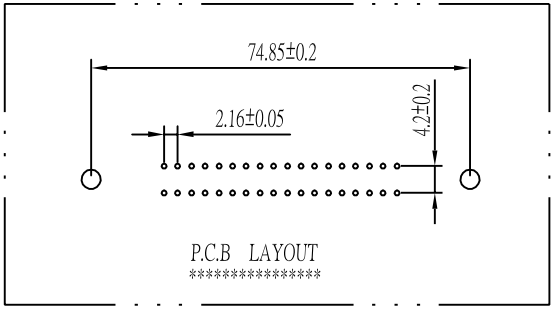
Note:

1.Material:

- 1.1 Insulator: High temperature thermoplastic with g.f,UL94v-0
- 1.2 Contact: Copper alloy,t=0.25mm
- 1.3 Shell: Spcc,t=0.40mm,50P Front-shell t=0.60mm

2.Specification:

- 2.1 Current rating: 1 A Max.
- 2.2 Dielectric withstanding voltage: 750 V(ac) for 1 min.
- 2.3 Contact resistance: 30 mΩ Max.
- 2.4 Insulation resistance: 1000 MΩ Min.
- 2.5 Total mating force: 9.0 Kgf Max.
- 2.6 Total unmating force: 5.0 Kgf Min.
- 2.7 Temperature range: -55°C~85°C

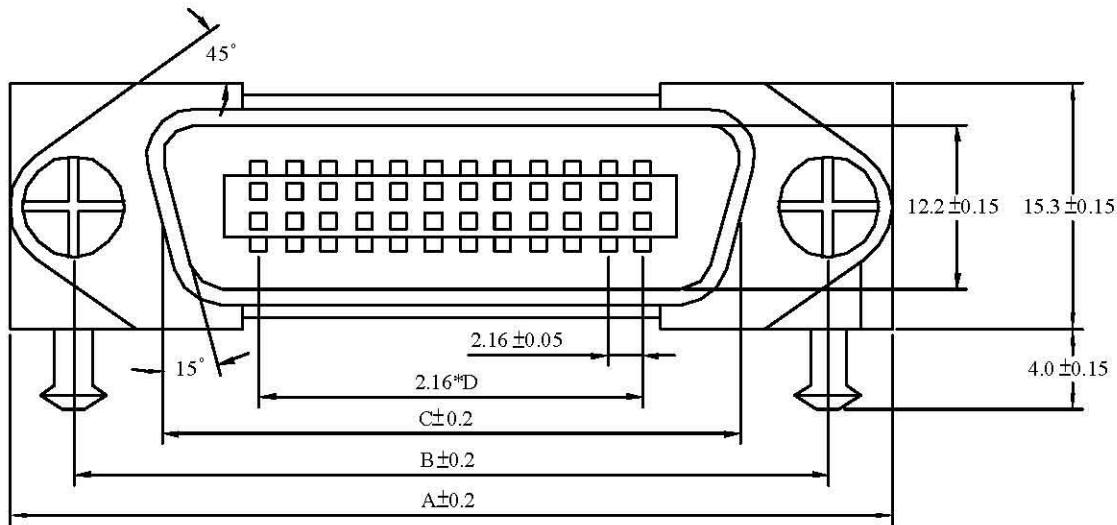


8	Back-shell			
7	Front-shell			
6	Clip			No finish
5	Contact			Selective Au plated on mating area
4	Contact			
3	Contact			
2	Contact			
1	Housing			Black
No.	Name	Q'ty	Part No.	Finish

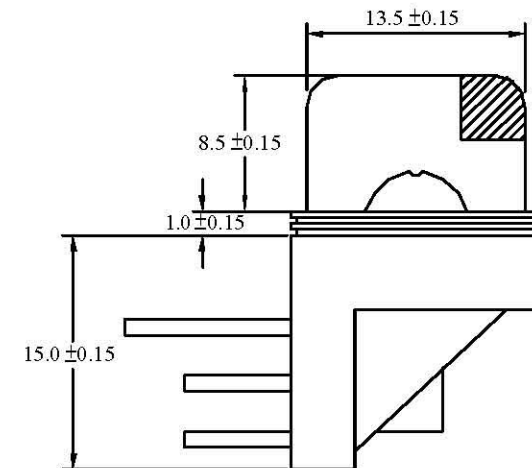
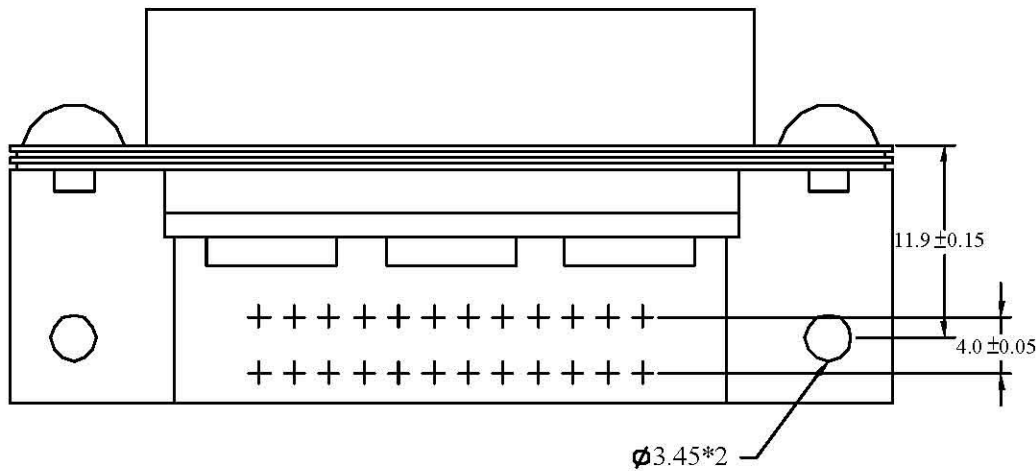
PART NO:		MATERIAL:			
MODEL NO:		FINSH:			
UNIT: mm	SIZE:	COLOR:		PART NAME:	
TOLERANCE UNSPECIFIED		DR: <i>ALLPS</i>		CENTRONIC RIGHT ANGLE P.B.C 50PIN SOLDER (Female)	
.x ±0.3	.xx ±0.20	CHK: <i>DAVE</i>		DWG NO: PNE04-F	REV: A0
.xxx ±0.100	ANC. ±1'	APP: <i>SALRW</i>		SCALE: 1:1	SHEET: 1 of 1

1 2 3 4 5 6 7 8

A B C D E F



POSITION	A	B	C	D
PNE04-14M	43.90	36.00	25.5	6
PNE04-24M	54.70	46.80	36.3	11
PNE04-36M	57.70	59.70	49.3	17
PNE04-50M	62.80	74.90	64.4	24



長熒有限公司
Chang Enn Co., Ltd.

TEL: 886-2-26945824
FAX: 886-2-26946971

TITLE	CENTRONIC RIGHT ANGLE P. B. C 50PIN SOLDER(Female)
PARTS NO.	PNE04-Male
DWG. NO.	PNE04-M

GENERAL TOLERANCE	DRAWN	羅仲維	DATE	83/05/20
DIM: X. ± 0.5 X.X ± 0.25 X.XX ± 0.12 X.XXX ± 0.08	CHECK	SHIRLEY	DATE	83/05/20
	APPROVE		DATE	
	SCALE	1:2	UNIT	mm
		REV.	00	