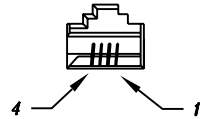
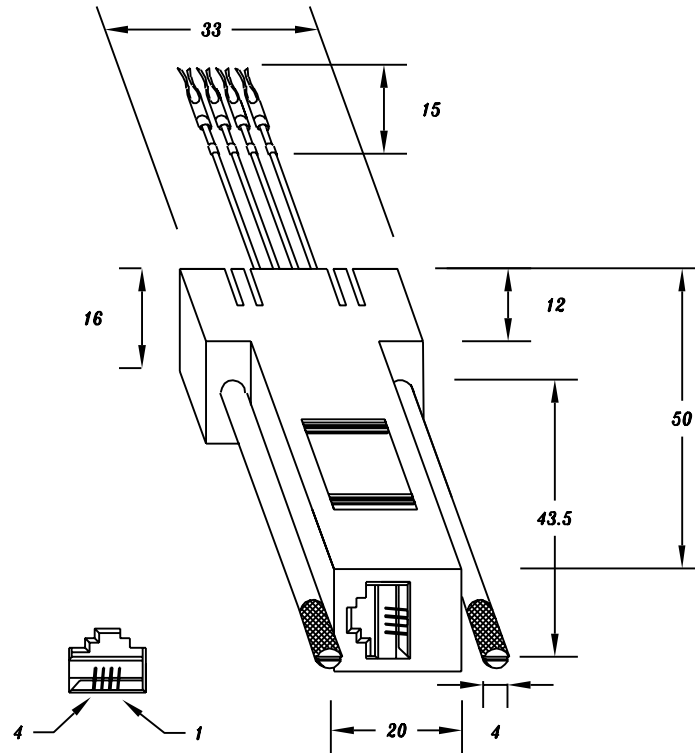
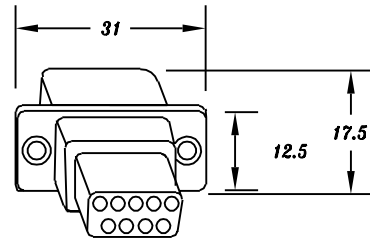
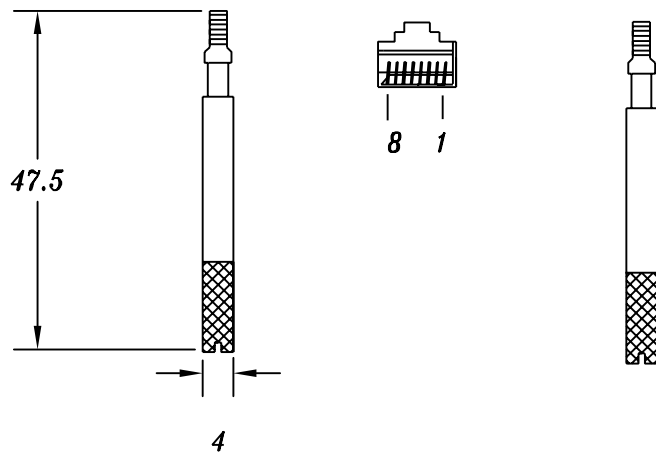
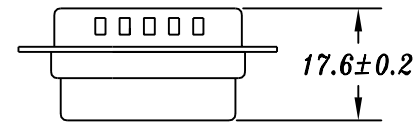
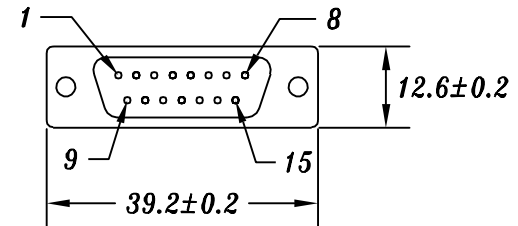
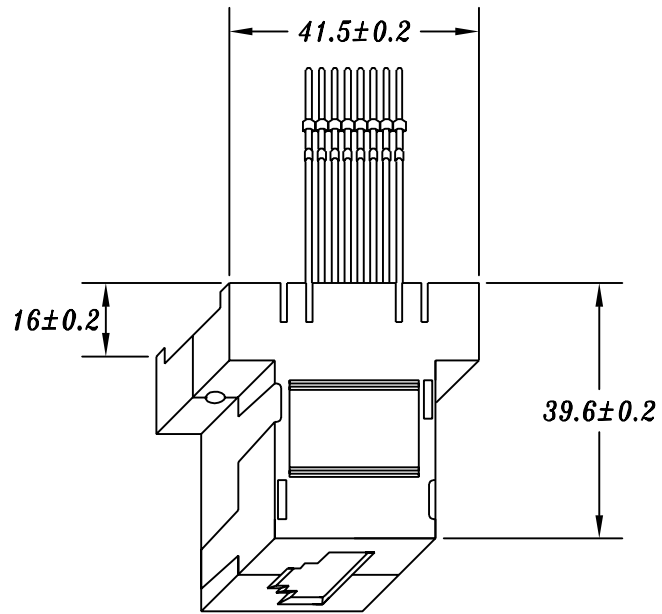


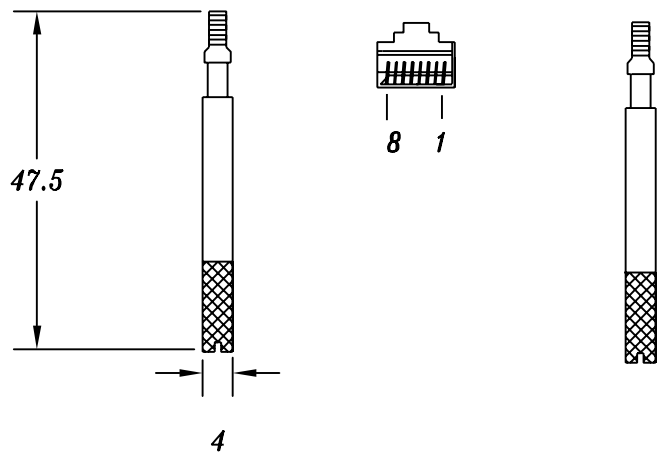
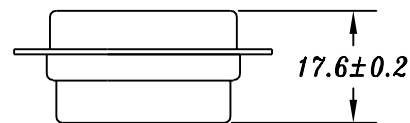
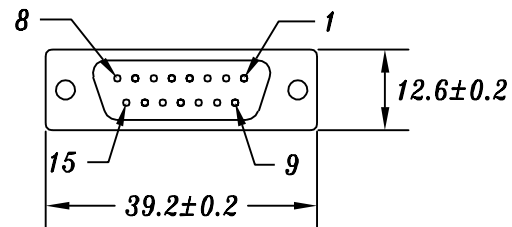
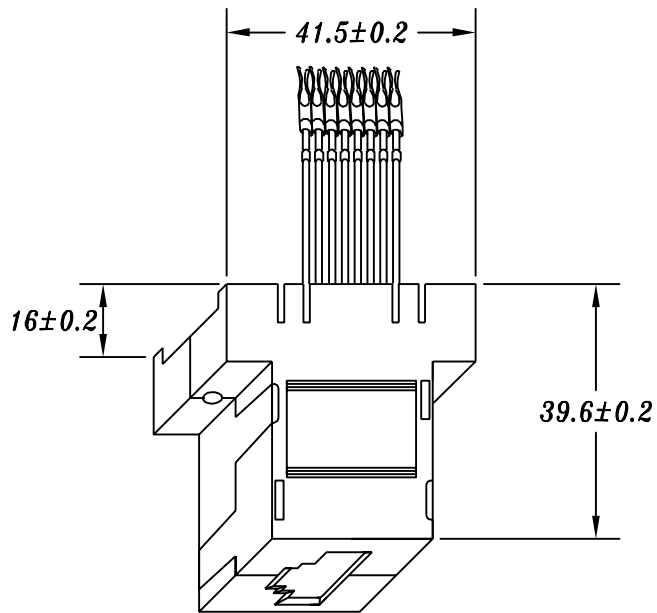
<i>DRAWING NAME</i>	<i>SCALE</i>	<i>UNIT</i>	<i>DATE</i>	<i>MATERIAL</i>	<i>CHANG ENN CO.,LTD</i>
<i>PA701-RJ11/09P</i>		<i>MM</i>	<i>87.01.12</i>		<i>TEL: 02-26945824</i>



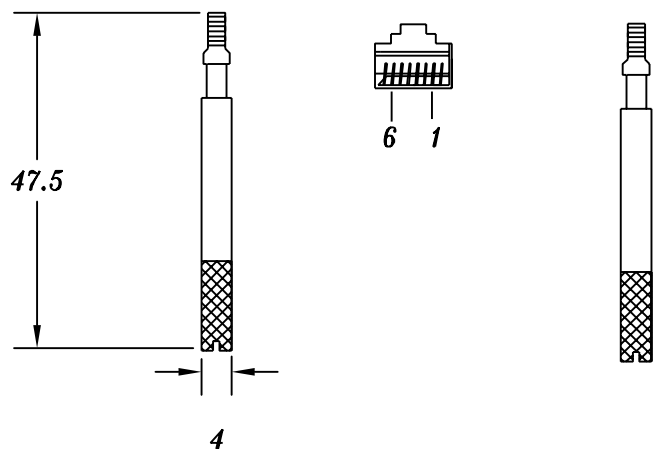
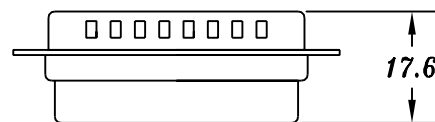
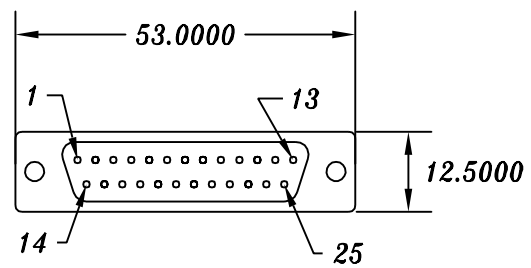
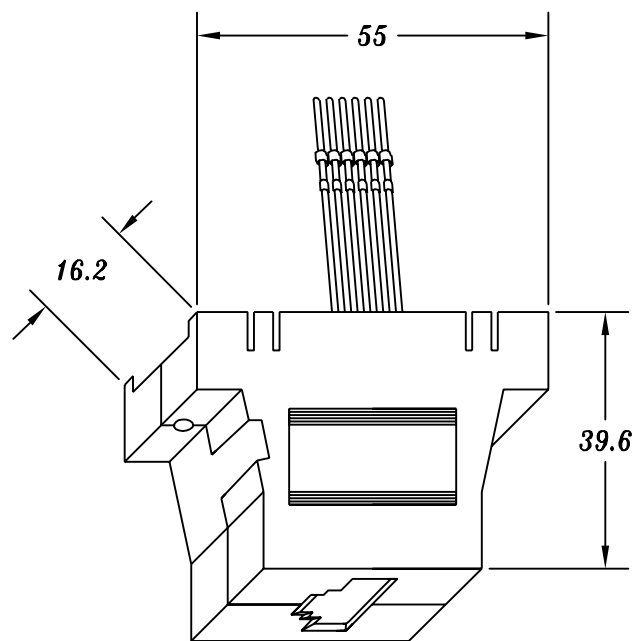
<i>DRAWING NAME</i>	<i>SCALE</i>	<i>UNIT</i>	<i>DATE</i>	<i>MATERIAL</i>	<i>CHANG ENN CO.,LTD</i>
<i>PA701-RJ11/09S</i>		<i>MM</i>	<i>87.01.12</i>		<i>TEL: 02-26945824</i>



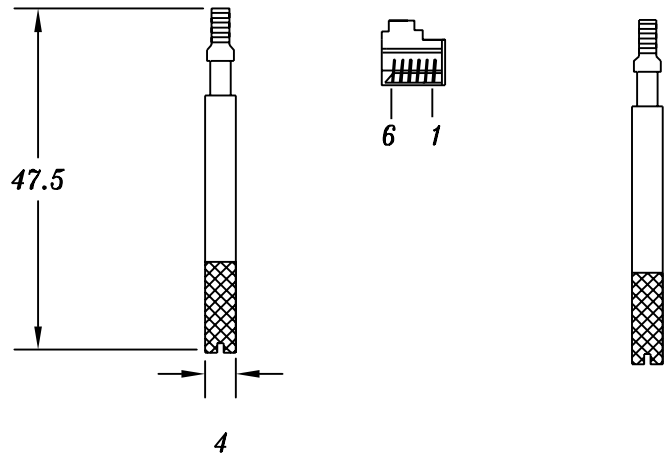
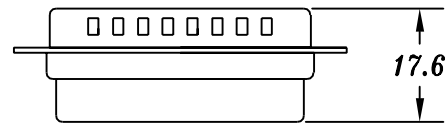
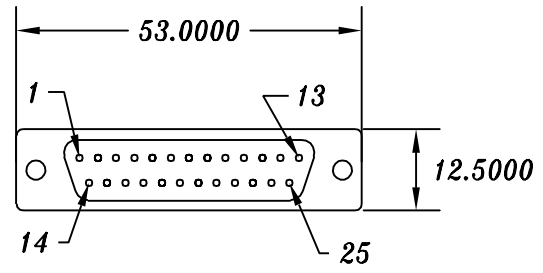
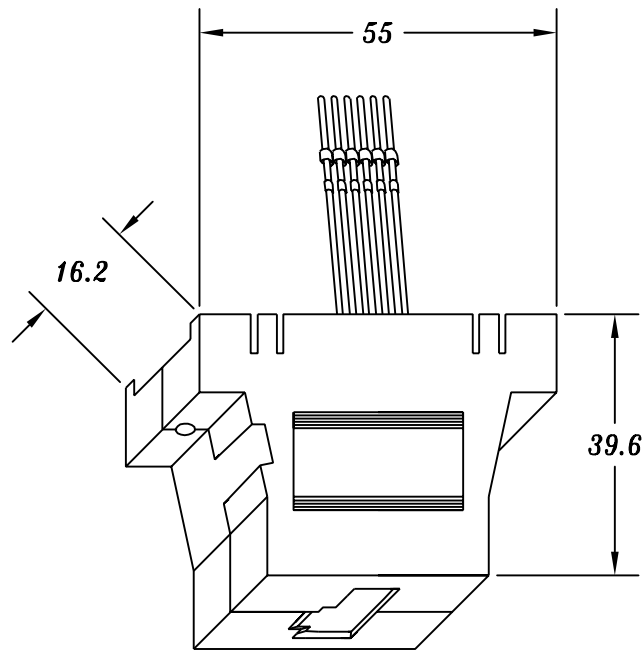
DRAWING NAME	SCALE	UNIT	DATE	MATERIAL	CHANG ENN CO.,LTD
PA701-RJ45/15P		MM	87.01.12		TEL: 02-26945824



DRAWING NAME	SCALE	UNIT	DATE	MATERIAL	CHANG ENN CO.,LTD
PA701-RJ45/15S		MM	87.01.12		TEL: 02-26945824



DRAWING NAME	SCALE	UNIT	DATE	MATERIAL	CHANG ENN CO.,LTD
PA701-RJ12/25P		MM	87.01.12		TEL: 02-26945824



*DRAWING NAME*

*SCALE*

*UNIT*

*DATE*

*MATERIAL*

*CHANG ENN CO.,LTD*

*PA701-RJ12/25P-DEC*

*MM*

*87.01.12*

*TEL: 02-26945824*