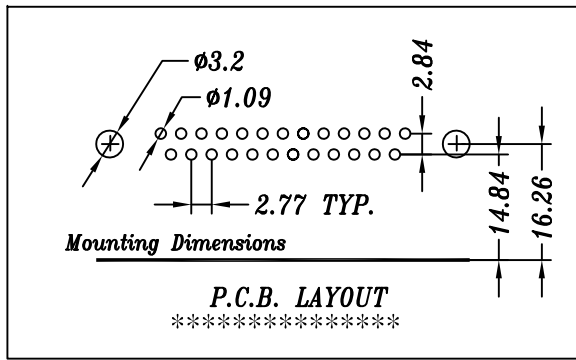
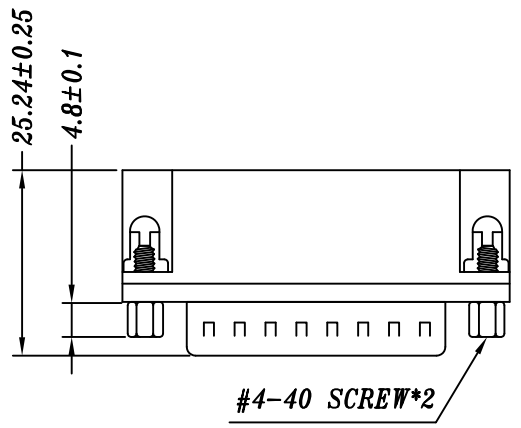


REV.	ECN NO	LOCATIONS	DESCRIPTION	DATE	REVISER	APPD



PND05 C- 00 P B

SERIES:
2.77mm D-USB PCB
Right Angle Type

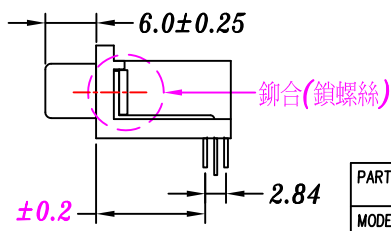
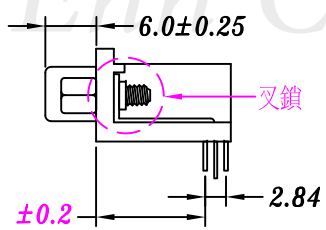
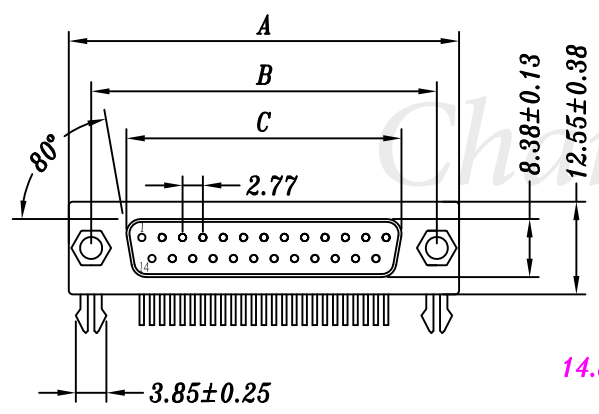
FOOTPRINT:
=8.08 (.318")
A=9.04 (.370")
B=10.02 (.401")
C=14.84 (.509")

SELECT:
X= 叉鎖
M= 鉚合

INSULATOR COLOR:
B=Black(Standard)

CONTACT TYPE:
S= Female
P= Male

NO.OF CONTACT:
09 /15 /25 /37



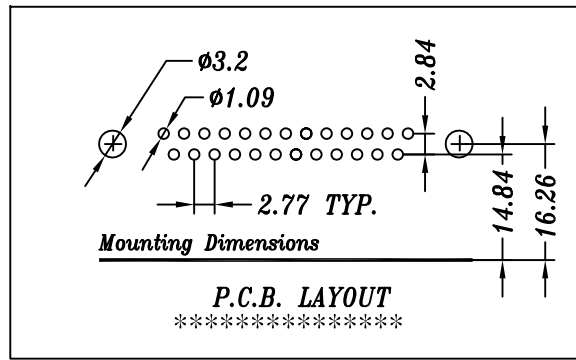
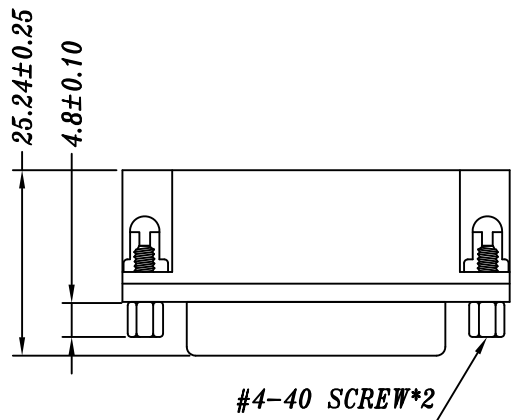
Note:

- Material:**
 - Insulator: PBT+30% Glass Fiber UL94V-0
 - Contact: Brass
 - Contact Plated: Gold, Tin Plated or Gold Plated
 - Shell: Steel, Nickel Plated or Tin Plated
 - Screw: Brass Nickel Plated
- Specification:**
 - Current Rating: 5 Amps
 - Insulation Resistance: 5000 MΩ Min at 500V DC
 - Dielectric Strength: 1000V Per Minute
 - Temperature range: -55°C ~ 105°C

PART NO	A±0.38	B±0.25	C±0.13
PND05C-09P	30.81	24.99	16.92
PND05C-15P	39.14	33.32	25.25
PND05C-25P	53.04	47.04	38.96
PND05C-37P	69.32	63.50	55.42

PART NO:		MATERIAL:		長榮有限公司	
MODEL NO:		FINISH:			
UNIT: mm	SIZE:	COLOR:		PART NAME: D-SUB PCB Right Angle Type 14.84(.590") Footprint for Male	
TOLERANCE UNSPECIFIED		DR:		DWG NO: PND05C- <u>XX</u> PB	
.x	±0.3	CHK:		REV: A03	
.xx	±0.20	APP:		SCALE: 1:1	
.xxx	±0.100			SHEET: 1 of 1	
ANG.	±1°				

REV.	ECN NO	LOCATIONS	DESCRIPTION	DATE	REVISER	APPD



PND05 C- 00 S B

SERIES:
2.77mm D-USB PCB
Right Angle Type

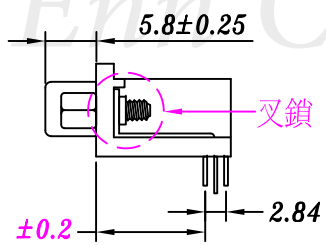
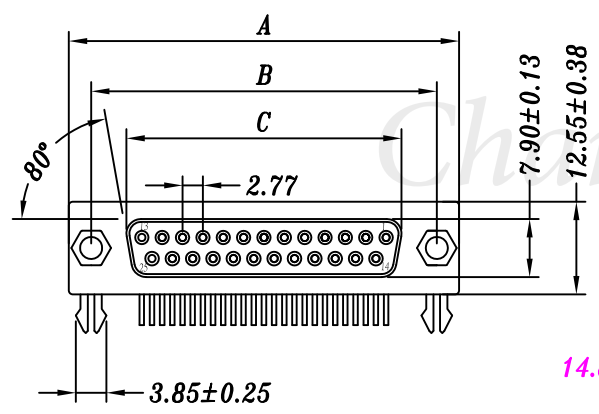
FOOTPRINT:
=8.08 (.318")
A=9.04 (.370")
B=10.02 (.401")
C=14.84 (.509")

SELECT:
X= 叉鎖
M= 鉚合

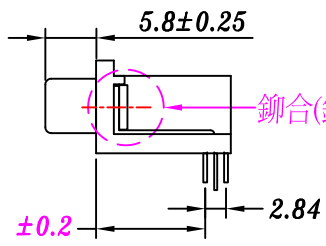
INSULATOR COLOR:
B=Black(Standard)

CONTACT TYPE:
S= Female
P= Male

NO.OF CONTACT:
09 /15 /25 /37



14.84(.590") ±0.2



14.84(.590") ±0.2

Note:

- Material:**
 - Insulator: PBT+30% Glass Fiber UL94V-0
 - Contact: Brass
 - Contact Plated: Gold, Tin Plated or Gold Plated
 - Shell: Steel, Nickel Plated or Tin Plated
 - Screw: Brass Nickel Plated
- Specification:**
 - Current Rating: 5 Amps
 - Insulation Resistance: 5000 MΩ Min at 500V DC
 - Dielectric Strength: 1000V Per Minute
 - Temperature range: -55°C ~ 105°C

PART NO	A±0.38	B±0.25	C±0.13
PND05C-09S	30.81	24.99	16.30
PND05C-15S	39.14	33.32	24.66
PND05C-25S	53.04	47.04	38.38
PND05C-37S	69.32	63.50	54.83

PART NO:		MATERIAL:		長榮有限公司	
MODEL NO:		FINSH:			
UNIT: mm	SIZE:	COLOR:		PART NAME: D-SUB PCB Right Angle Type 14.84(.590") Footprint for Female	
TOLERANCE UNSPECIFIED		DR:		DWG NO: PND05C-XXSB	
.x	±0.3	CHK:		REV: A03	
.xx	±0.20	APP:		SCALE: 1:1	
.xxx	±0.100			SHEET: 1 of 1	
ANG.	±1°				